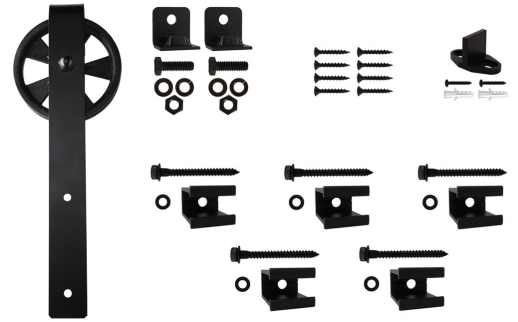


9453

Five Inch Hook



PRODUCT SPECIFICATIONS

MATERIALS:

Durable powder-coated black aluminum

SYSTEM INCLUDES:

- Two carriers
- Two stops
- Floor guide
- Rail mounting brackets and fasteners
- Track available in 6' and 8' lengths (sold separately)

STANDARDS:

Meets performance requirements of ANSI/BHMA 156.14 (Grade 1) for sliding doors by exceeding 100,000 cycles

DOOR SPECIFICATIONS:

- Wood doors 1-3/4" thick
- 250 lbs. - maximum door weight